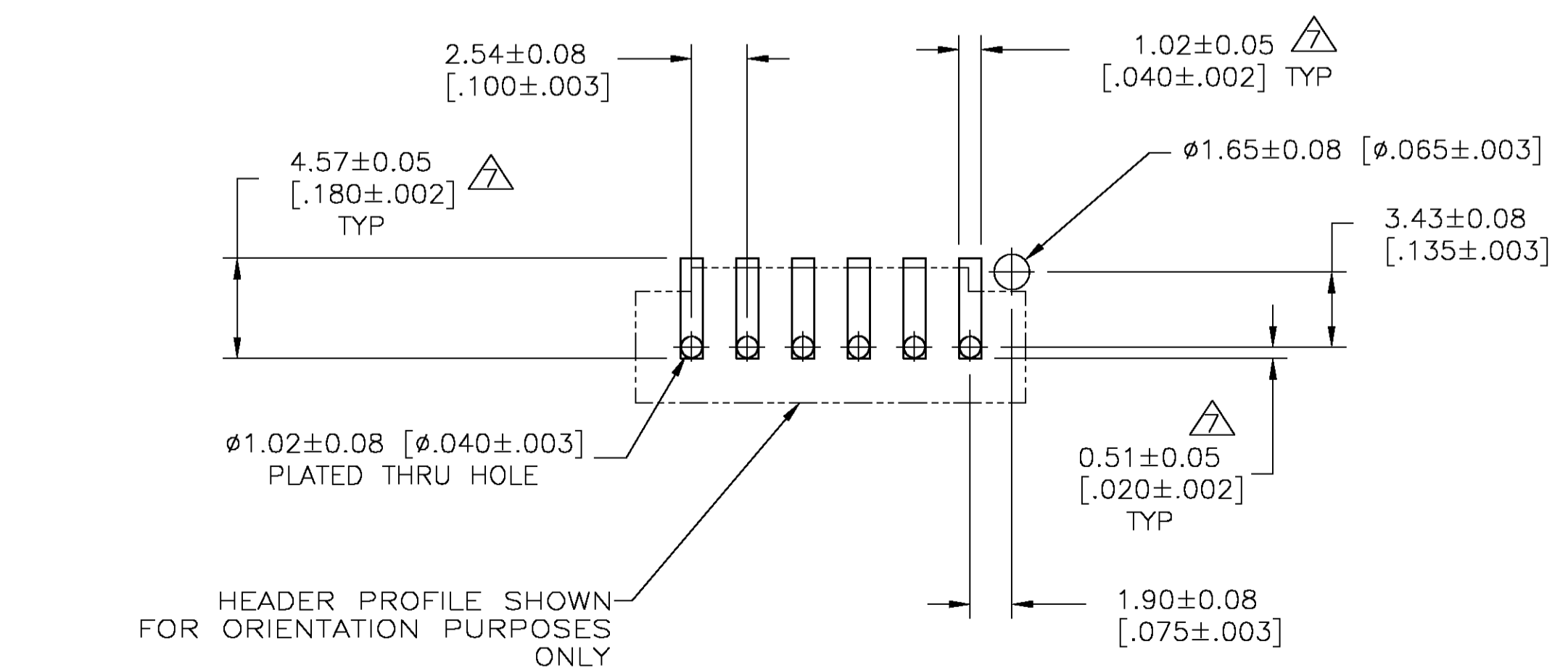


- △1 FINISH: 0.00254[.000100] BRIGHT TIN OVER 0.00127[.000050] NICKEL.
- △2 POINT OF MEASUREMENT FOR PLATING THICKNESS.
- △3 THE NOTED DIMENSIONS APPLY FROM THE BASIC DIMENSION CENTER LINE (NOT THE POST CENTER LINE) TO THE SURFACE INDICATED.
- △4 ONE POLARIZATION SLOT FOR 2 POSITION ASSEMBLY ONLY.
- △5 SELECT POST TAILS FORMED TO PROVIDE CONNECTOR HOLD DOWN UNTIL SOLDERED, CONFIGURATION ACCEPTS 0.69[.027]-2.03[.080] THICK PRINTED CIRCUIT BOARD. (SEE DETAIL Z).
- 6. PARTS ARE PACKAGED IN GANG OF TUBES.
- △6 DIMENSIONS NOTED ARE FOR SOLDER STENCIL LAYOUT FOR USE WITH 1.58±0.20[.062±.008] THICK PRINTED CIRCUIT BOARDS.
- △8 MATERIAL- HOUSING: HIGH TEMP THERMOPLASTIC, COLOR-BLACK. POSTS: BRASS.
- △9 FINISH: 0.00254[.000100] MATTE TIN OVER 0.00127[.000050] NICKEL.
- △10 OBSOLETE PART NUMBER



RECOMMENDED PC BOARD MOUNTING DIMENSIONS  
 RECOMMENDED STENCIL THICKNESS = 0.25[.010]

△9	33.02 [1.300]	30.99 [1.220]	1 1	1 2	6-147750-1
△9	33.02 [1.300]	30.99 [1.220]	1 1	1 2	5-147750-1
△1	33.02 [1.300]	30.99 [1.220]	1 1	1 2	1-147750-1
PLATING	C	B	A	NO. OF POSN	PART NO.

THIS DRAWING IS A CONTROLLED DOCUMENT.

DMN	R BROWN	02APR01	<b>AMP</b> Tyco Electronics Corporation Harrisburg, PA 17105-3608
CHK	K WRIGHT	02APR01	
APVD	K WRIGHT	02APR01	NAME: POLARIZED HDR ASSY, AMPMODU MTE, VERTICAL SINGLE ROW, 2.54[.100] CL, 0.64[.025] SQ POSTS, WITH LATCHING WITH SWAGE
DIMENSIONS:	TOLERANCES UNLESS OTHERWISE SPECIFIED:	PRODUCT SPEC	APPLICATION SPEC
MATERIAL	FINISH	WEIGHT	RESTRICTED TO
SEE TABLE	SEE TABLE	A1 00779 C=147750	SCALE 4:1 SHEET 1 OF 1 REV C